

LED PERFORMANCE FLOODLIGHT



The LEDVANCE® LED PERFORMANCE FLOODLIGHT is a reliable and high efficacy LED floodlight with aluminum die-cast housing for general-purpose applications. It provides performance LED alternative to traditional double-ended halogen-lamp floodlights. The range is available in 4 housing sizes for different wattages to meet most of the application requirements. The long lifetime enables substantial energy and maintenance savings. A universal mounting bracket allows wall or surface mounting that tilts upwards or downwards. The LEDVANCE® LED PERFORMANCE FLOODLIGHT range is available in black housing.

Product Features & Benefits

- Available in 10W, 20W, 30W, 50W
- SMD LED design to maximize product reliability
- CRI >80
- High system efficiency up to 120lm/W
- Standard CCT: 3000K, 4000K, 6500K
- Aluminum die-cast housing
- Elegant slim design reduces windage
- Tempered frosted front glass to increase uniformity
- IP65 water and dust proof
- IK07 vandal-protected
- Available in black housing
- Long 50,000hr lifetime reduces maintenance costs
- Pre-wired with 1m mains cable
- Built in water stopper system for 20W and 30W, breather for 50W
- Safety compliance certificates: CB

Application Areas:

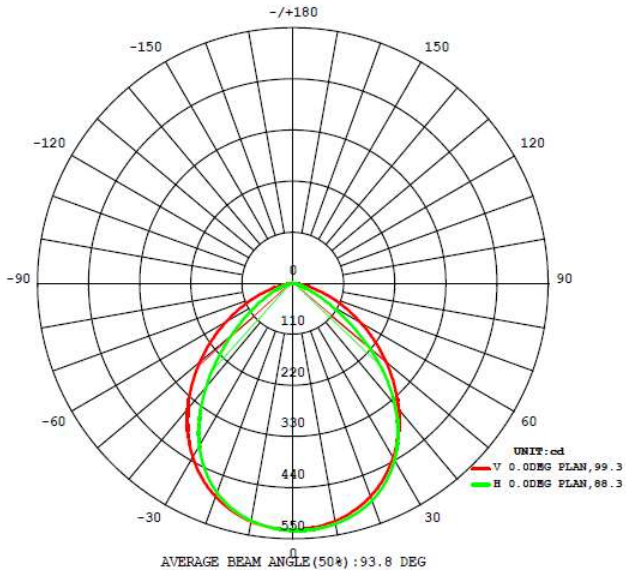
- Architecture and landscape lighting
- Industrial warehouses lighting
- Billboard and advertising lighting
- Security, amenity and parking area lighting

General Specifications

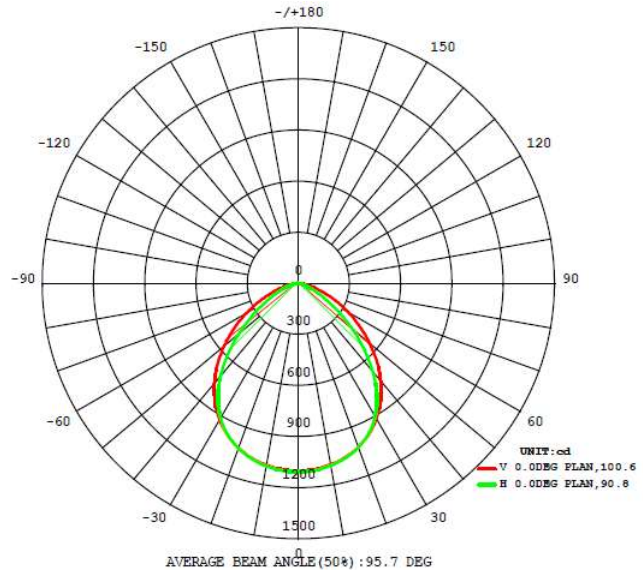
LEDVANCE® LED PERFORMANCE FLOODLIGHT					
Electrical Data	Wattage	10W	20W	30W	50W
	Rated Input Voltage	100 - 277VAC			
	Input current	0.112A max. 0.049A @230V	0.23A max. 0.098A @230V	0.34A max. 0.147A @230V	0.594A max. 0.236A @230V
	Power factor	0.9			
	Line frequency	50/60Hz			
	Surge protection	2KV/4KV			
	Protection class	Class I			
Optical / Photometric	Rated lumens @3000K	1100	2200	3300	5500
	Rated lumens @4000&6500K	1200	2400	3600	6000
	Beam angle	100°			
	CCT (K)	3000 & 4000 & 6500			
	CRI	>80			
	Lumen efficacy	110lm/W @3000K 120lm/W@4000 & 6500K			
	LED	SMD			
	Rated lifetime	50,000 hrs @ L70 B50 35°C			
	Operating temperature	-30 - +50°C			
	Storage temperature	-30 - +70°C			
Housing	Material	Die-cast aluminum			
	Front glass	Tempered frost glass			
	Heat sink	Die-cast Aluminum			
	Housing color	Black			
	Ingress protection	IP 65			
	Shock protection	IK07			
	Driver	Non-isolated Driver			

Polar intensity diagram

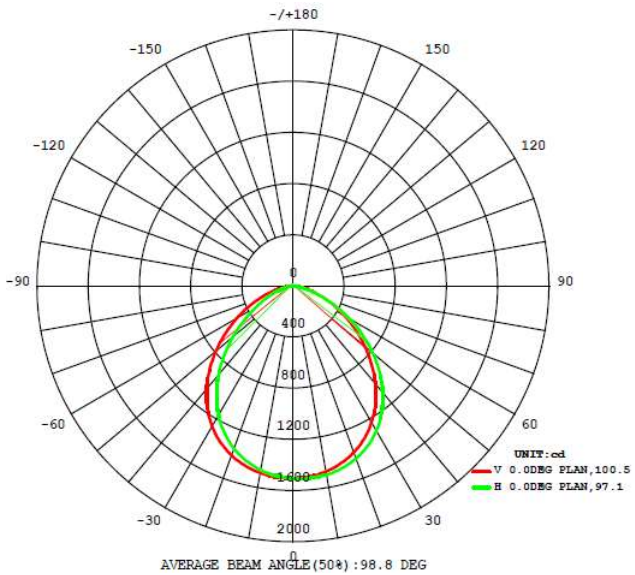
10W



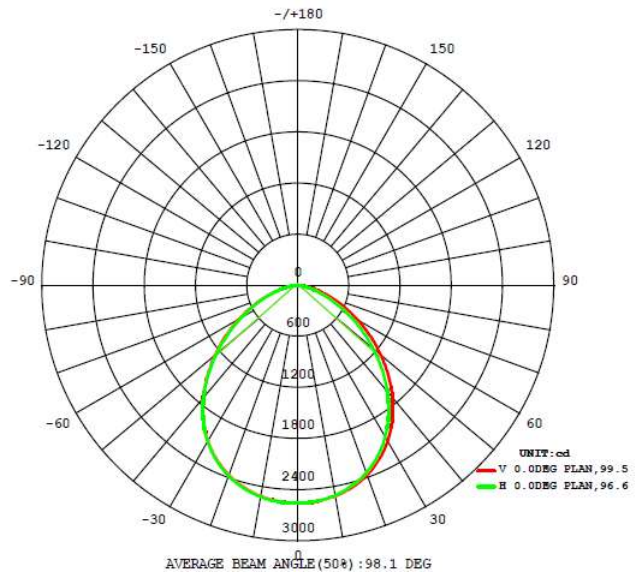
20W



30W



50W



Ordering Codes for APM EN Version:

Material	Short Text	Model Name	Ship Unit	EAN-010	EAN-040
AC237990055	LDPFM FL 10W 830 277V BK 12X1 EN LEDV	LDPFM-FL-10W-WV-AM	12	4058075428881	4058075428898
AC238000055	LDPFM FL 10W 840 277V BK 12X1 EN LEDV	LDPFM-FL-10W-WV-AM	12	4058075428904	4058075428911
AC238010055	LDPFM FL 10W 865 277V BK 12X1 EN LEDV	LDPFM-FL-10W-WV-AM	12	4058075428928	4058075428935
AC238020055	LDPFM FL 20W 830 277V BK 12X1 EN LEDV	LDPFM-FL-20W-WV-AM	12	4058075428942	4058075428959
AC238030055	LDPFM FL 20W 840 277V BK 12X1 EN LEDV	LDPFM-FL-20W-WV-AM	12	4058075428966	4058075428973
AC238040055	LDPFM FL 20W 865 277V BK 12X1 EN LEDV	LDPFM-FL-20W-WV-AM	12	4058075428980	4058075428997
AC238050055	LDPFM FL 30W 830 277V BK 8X1 EN LEDV	LDPFM-FL-30W-WV-AM	8	4058075429000	4058075429017
AC238060055	LDPFM FL 30W 840 277V BK 8X1 EN LEDV	LDPFM-FL-30W-WV-AM	8	4058075429024	4058075429031
AC238070055	LDPFM FL 30W 865 277V BK 8X1 EN LEDV	LDPFM-FL-30W-WV-AM	8	4058075429048	4058075429055
AC238080055	LDPFM FL 50W 830 277V BK 8X1 EN LEDV	LDPFM-FL-50W-WV-AM	8	4058075429062	4058075429079
AC238090055	LDPFM FL 50W 840 277V BK 8X1 EN LEDV	LDPFM-FL-50W-WV-AM	8	4058075429086	4058075429093
AC238100055	LDPFM FL 50W 865 277V BK 8X1 EN LEDV	LDPFM-FL-50W-WV-AM	8	4058075429109	4058075429116

Ordering Codes for APM TW Version:

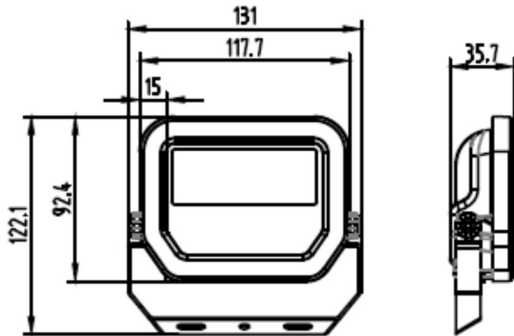
Material	Short Text	Model Name	Ship Unit	EAN-010	EAN-040
AC237990155	LDPFM FL 10W 830 277V BK 12X1 TW LEDV	LDPFM-FL-10W-WV-AM	12	4058075472181	4058075472198
AC238010155	LDPFM FL 10W 865 277V BK 12X1 TW LEDV	LDPFM-FL-10W-WV-AM	12	4058075472204	4058075472211
AC238050155	LDPFM FL 30W 830 277V BK 8X1 TW LEDV	LDPFM-FL-30W-WV-AM	8	4058075472228	4058075472235
AC238070155	LDPFM FL 30W 865 277V BK 8X1 TW LEDV	LDPFM-FL-30W-WV-AM	8	4058075472242	4058075472259
AC238080155	LDPFM FL 50W 830 277V BK 8X1 TW LEDV	LDPFM-FL-50W-WV-AM	8	4058075472266	4058075472273
AC238100155	LDPFM FL 50W 865 277V BK 8X1 TW LEDV	LDPFM-FL-50W-WV-AM	8	4058075472280	4058075472297

Ordering Codes for APM AU Version:

Material	Short Text	Model Name	Ship Unit	EAN-010	EAN-040
AC237990255	LDPFM FL 10W 830 277V BK 12X1 AU LEDV	LDPFM-FL-10W-WV-AU	12	4058075476288	4058075476295
AC238000155	LDPFM FL 10W 840 277V BK 12X1 AU LEDV	LDPFM-FL-10W-WV-AU	12	4058075476349	4058075476356
AC238010255	LDPFM FL 10W 865 277V BK 12X1 AU LEDV	LDPFM-FL-10W-WV-AU	12	4058075476363	4058075476370
AC238020155	LDPFM FL 20W 830 277V BK 12X1 AU LEDV	LDPFM-FL-20W-WV-AU	12	4058075476394	4058075476400
AC238030155	LDPFM FL 20W 840 277V BK 12X1 AU LEDV	LDPFM-FL-20W-WV-AU	12	4058075476417	4058075476424
AC238040155	LDPFM FL 20W 865 277V BK 12X1 AU LEDV	LDPFM-FL-20W-WV-AU	12	4058075476431	4058075476448
AC238050255	LDPFM FL 30W 830 277V BK 8X1 AU LEDV	LDPFM-FL-30W-WV-AU	8	4058075476455	4058075476462
AC238060155	LDPFM FL 30W 840 277V BK 8X1 AU LEDV	LDPFM-FL-30W-WV-AU	8	4058075476479	4058075476486
AC238070255	LDPFM FL 30W 865 277V BK 8X1 AU LEDV	LDPFM-FL-30W-WV-AU	8	4058075476493	4058075476509
AC238080255	LDPFM FL 50W 830 277V BK 8X1 AU LEDV	LDPFM-FL-50W-WV-AU	8	4058075476516	4058075476523
AC238090155	LDPFM FL 50W 840 277V BK 8X1 AU LEDV	LDPFM-FL-50W-WV-AU	8	4058075476530	4058075476547
AC238100255	LDPFM FL 50W 865 277V BK 8X1 AU LEDV	LDPFM-FL-50W-WV-AU	8	4058075476554	4058075476561

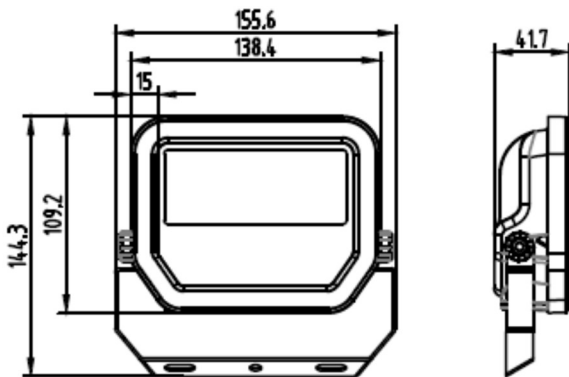
Drawing/Dimensions:

10W



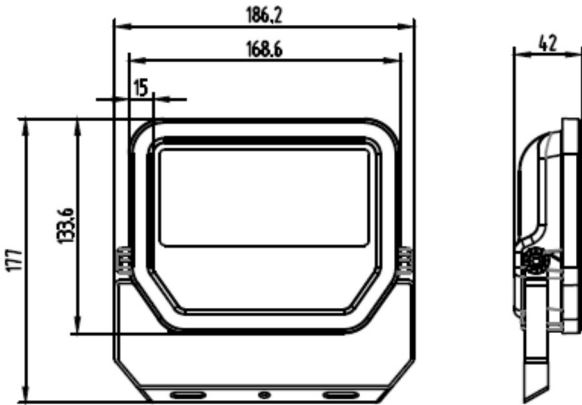
10W	Length	Width	Height	Weight
	131mm	122mm	35.7mm	0.4kg

20W



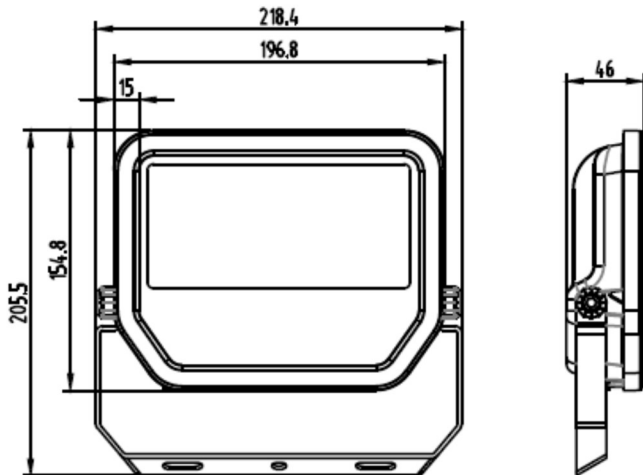
20W	Length	Width	Height	Weight
	155.6mm	144.3mm	41.7mm	0.52kg

30W



30W	Length	Width	Height	Weight
	186mm	177mm	42mm	0.7kg

50W



50W	Length	Width	Height	Weight
	218mm	205mm	46mm	1.0kg